

Thank you for choosing the *Edge Free Fixed Frame Series* projection screen! Please read through this user guide before utilizing the screen. Correct usage and maintenance will ensure a long product life.

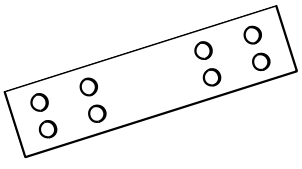
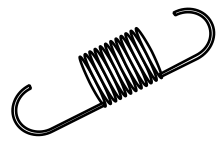
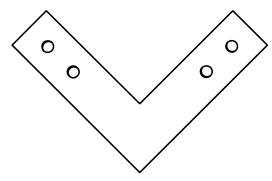
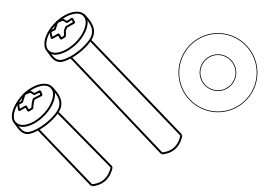
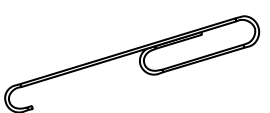
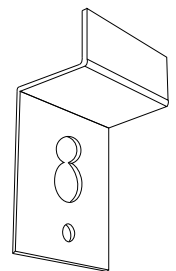
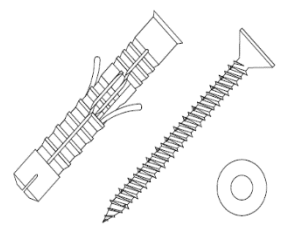
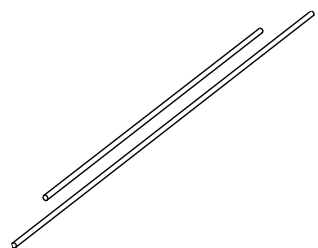
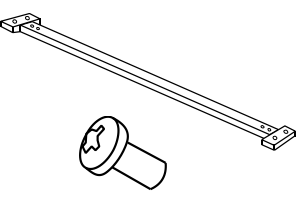

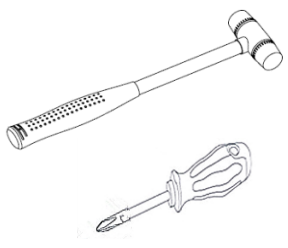
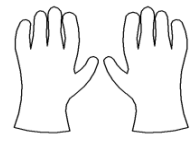
Care & Use Instructions

Dust, dirt and scratches on the projection surface will affect the picture quality, please take note of the points below to prevent that from occurring:



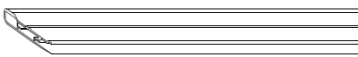
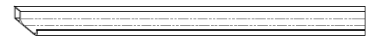
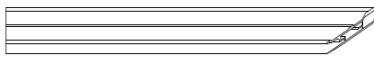
1. Do not touch the projection surface with your hands
2. Do not write or draw on the projection surface
3. Do not use fingers or sharp objects to point on the projection surface; this will damage the screen material.
4. Use a soft-damp cloth to clean the projection surface; do not use chemical cleaning agents or alcohol.
5. Use clean water when dampening the cleaning cloth and do not rub against the material to clean it.

Hardware Parts List

Please make sure all parts listed below are included before proceeding with the installation.

A. Center Joints	B. Spring	C. Elbow Joints	D. Long Screw, Short Screw & Washer
			
E. Pull Hook	F. Wall Bracket	G. Wall Anchors, Screw & Washer	H. Tension Rods
			
I. Center Support Bar and Small screws	J. Rubber End Cap	K. Screwdriver and Rubber hammer	L. Pair of Gloves
			

Note: The parts listed above are subject to change without notice.

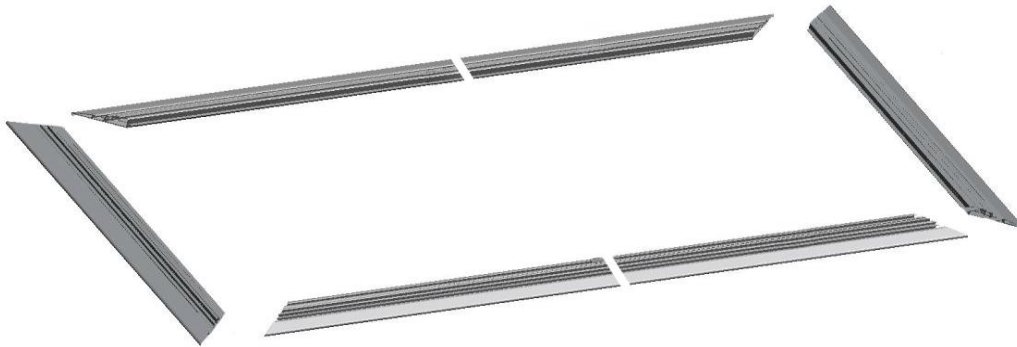
Frame and Edge Trim Parts			
Qty Item	Main Frame Parts	Qty Item	Edge Trim Parts
2 pcs	Vertical Frame (A) 	2 pcs	Vertical Velvet Trim 
2 pcs	½ Horizontal Frame (B) 	4 pcs	½ Horizontal Velvet Trim 
2 pcs	½ Horizontal Frame (C) 		

Item	Part List	100" Screen	125" Screen	145" Screen
A	Center Joints	2	2	2
B	Spring	44	58	68
C	Elbow Joints	4	4	4
D	M5x16mm Long Screw, M5x10mm Short Screw & Washer	12/32/32	12/32/32	12/32/32
E	Pull Hook	1	1	1
F	Wall Brackets	2	2	2
G	5x70mm Wall anchors, M5x70mm Screw & Washer	4/4/4	4/4/4	4/4/4
H	Tension Rods	6	6	6
I	Center Support Bar & M4x10 Small Screws	1/4	1/4	1/4
J	Rubber End Cap	8	8	8
K	Screwdriver & Rubber Hammer	1/1	1/1	1/1
L	Pair of Gloves	1	1	1

Frame Assembly

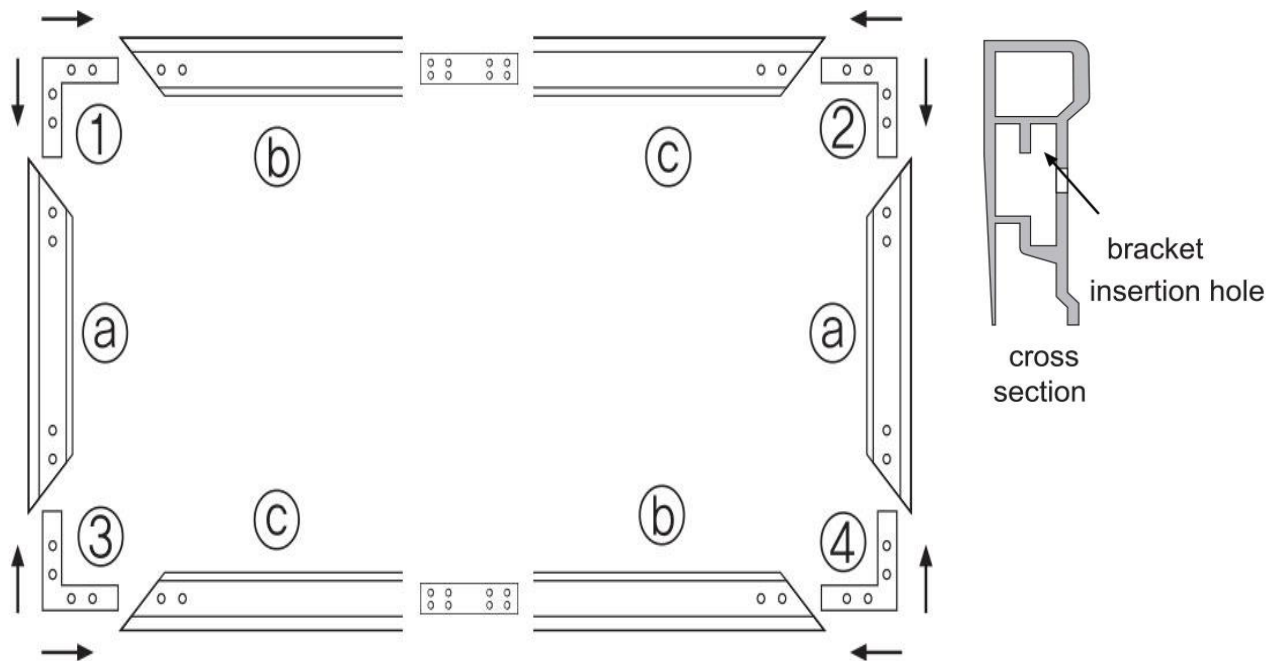
Step 1. Place a soft-clean cloth on the ground or other flat surface of the area where the screen will be assembled.

Step 2. Position the pieces of the frame face-down on the soft-clean cloth in the arrangement shown below.

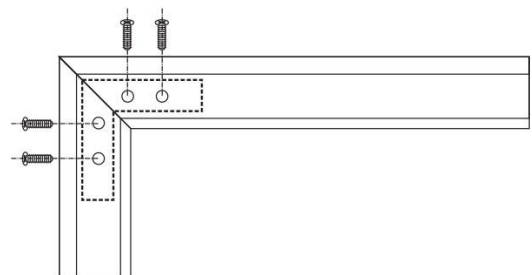


Step 3. Insert the *Center Joint (A)* connectors into one-half of the horizontal frame and secure with 4 (*M5x10mm*) screws. Once secure, connect the other half of the horizontal frame and fasten with 4 more screws.

Step 4. Connect the *Elbow Joints (C)* to top and bottom sections of the vertical frame. Once inserted, connect the vertical sections to the horizontal frame sections.



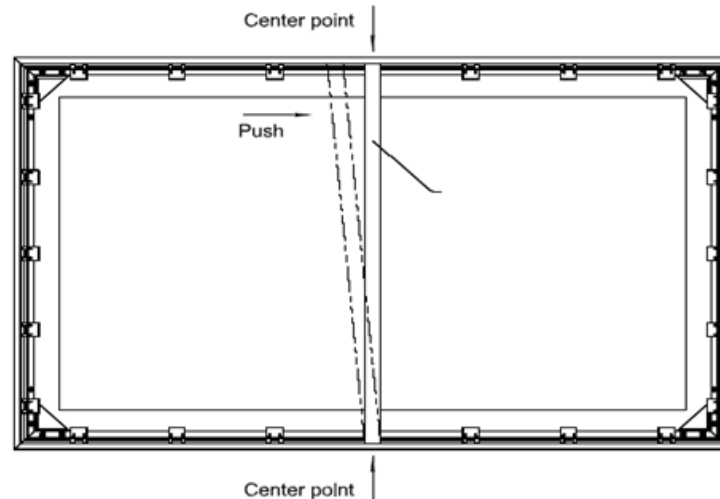
Make sure all the holes are in alignment and the frame pieces are flush (no gaps). They should form perfect right angles. **NOTE: Do not tighten elbow joints completely until all frame pieces are assembled correctly.**



Center Support Bar Installation

Step 1. Two people are suggested for this step. Place the *Center Support Bar (I)* into the top groove of the back of the frame.

Step 2. Next, slowly push and slide the opposite side of the center support bar towards the center as shown below.

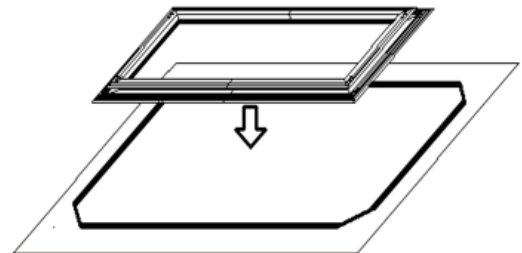
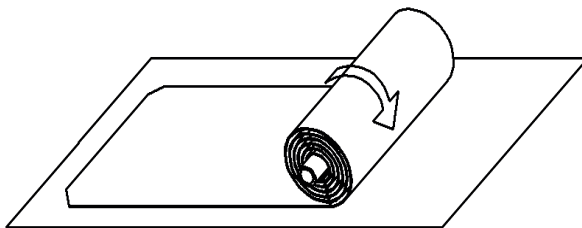


Step 3. Using the (*M4x10*) screws, screw both ends of the center support bar and make sure it is secure.

Screen Material Installation

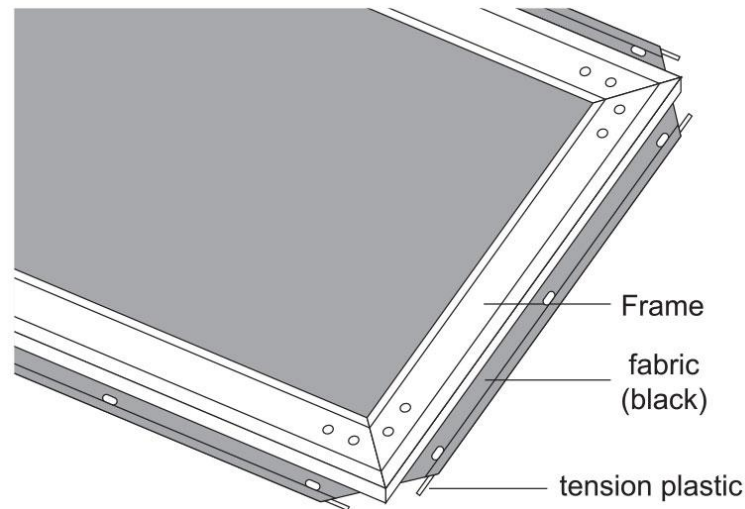
Step 1. Lay the screen material completely flat with the front facing down on a clean surface in a horizontal position. The back side of the screen material should be placed upwards.

Step 2. Carefully and gently place the assembled frame on top the screen material as shown below. Make sure to not allow the angle edge of the frame to come in direct contact with the screen material to avoid puncturing it.



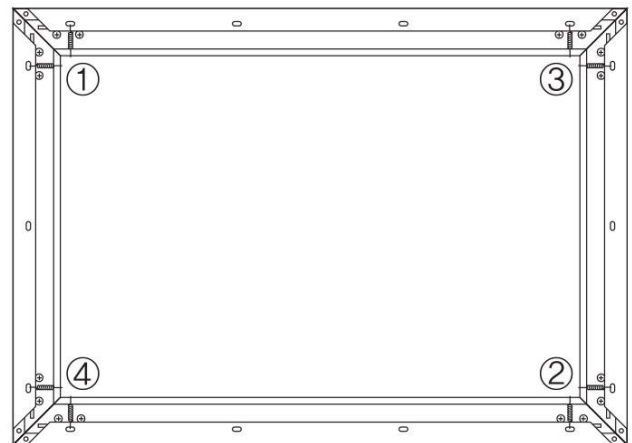
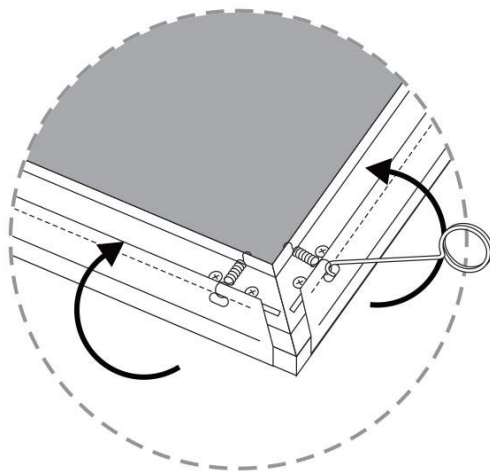
Step 3. Insert the four horizontal and two vertical *Tension Rods (H)* into the corresponding sides of the screen material, while keeping the material lying flat. Careful not to snag on the holes at the edge of the material during this process; forcing the rods may damage the screen material.

Step 4. After the *Tension rods (H)* have been inserted, make sure to have all corners aligned to the frame and fold over the material on each corner. **NOTE: Make sure to stretch the material tightly over the frame to maintain a flat surface.**



Step 5. Starting from all four corners, hook the *Springs (B)* through the hole located on the screen material's outer edge. First, hook the small spring head to the frame. Then using the *Pull hook (E)*, hook the other side of the spring to the material.

Step 6. After hooking the corner springs, work your way around the frame to hook the rest of the springs to the material.

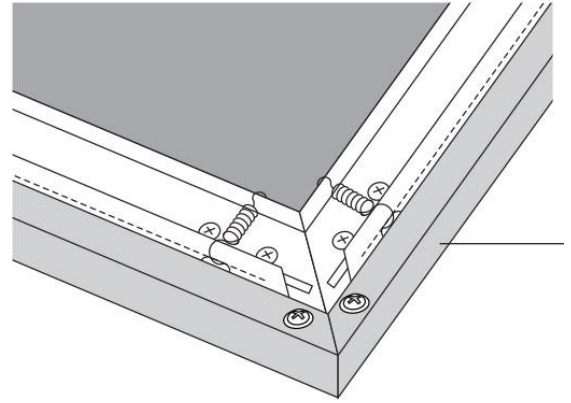
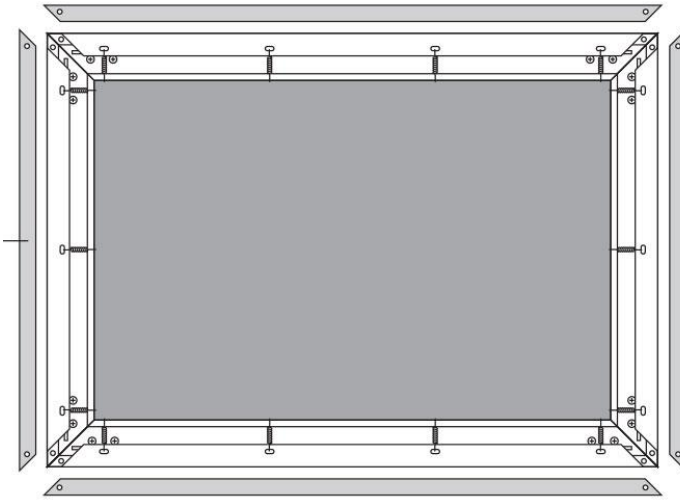


Step 7. Once the material is completely attached, place the black *rubber end caps (J)* at each of the *tension rod (H)* ends.

Velvet Trim Installation

Step 1. Place the velvet frame pieces over each side of the frame and secure it using the *M5x16 screws (D)*. **NOTE: Do not completely tighten the screws until you make sure each corner forms a right angle.**

Step 2. Make sure to secure the corner and center *M5x16 screws (D)* of the velvet frame.



Wall Mount Installation

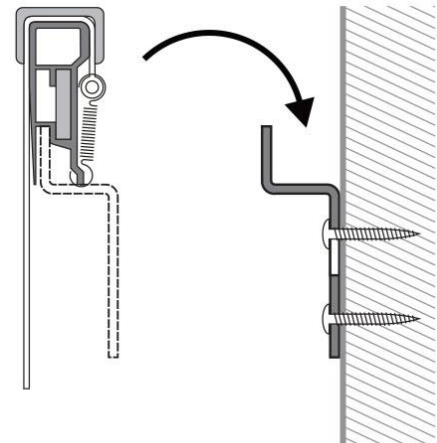
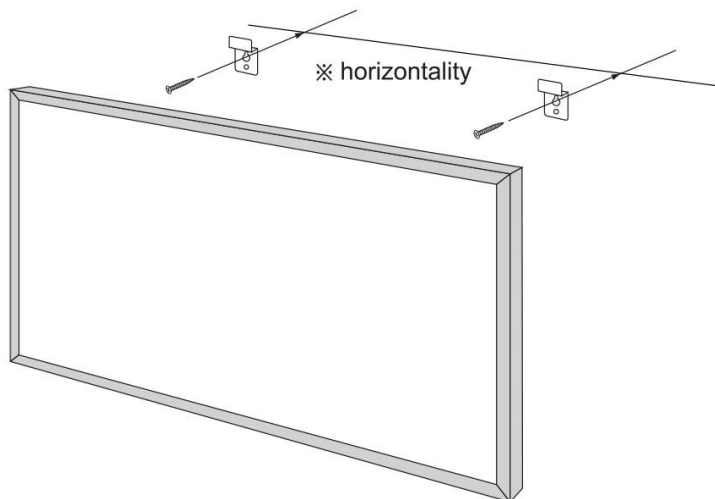
Step 1. Locate your desired installation location and mark the drill-hole area of where the screen is to be installed.

Step 2. Using the marked area, drill holes on the wall where the **brackets (F)** will be placed.

Step 3. Place the wall **anchor (G)** through the hole for each bracket on the frame.

Step 4. Line up the wall brackets with the drilled holes on the installation location and screw them in using the **M5x70 screw (G)**. Make sure the brackets are leveled.

Step 5. Next, using two people, carefully position the screen onto the wall. Your installation is now complete.



For Technical Support or an Akia Screens® contact in your area, please visit www.akiascreens.com