



# Fixed Frame Screen Series

*Matte White Fixed Screen*

**USER'S GUIDE – M Type**

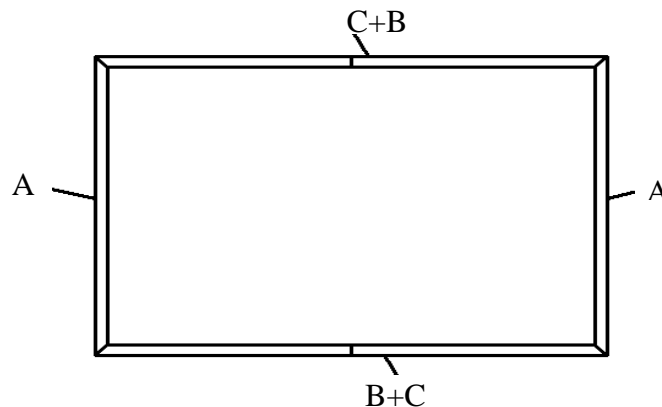
V1

Congratulations on your new *Aka Screens Fixed Frame* purchase! The material included is our ISF Certified *CineWhite® UHD-B* which produces accurate colors in a light-controlled environment the way the director intended.

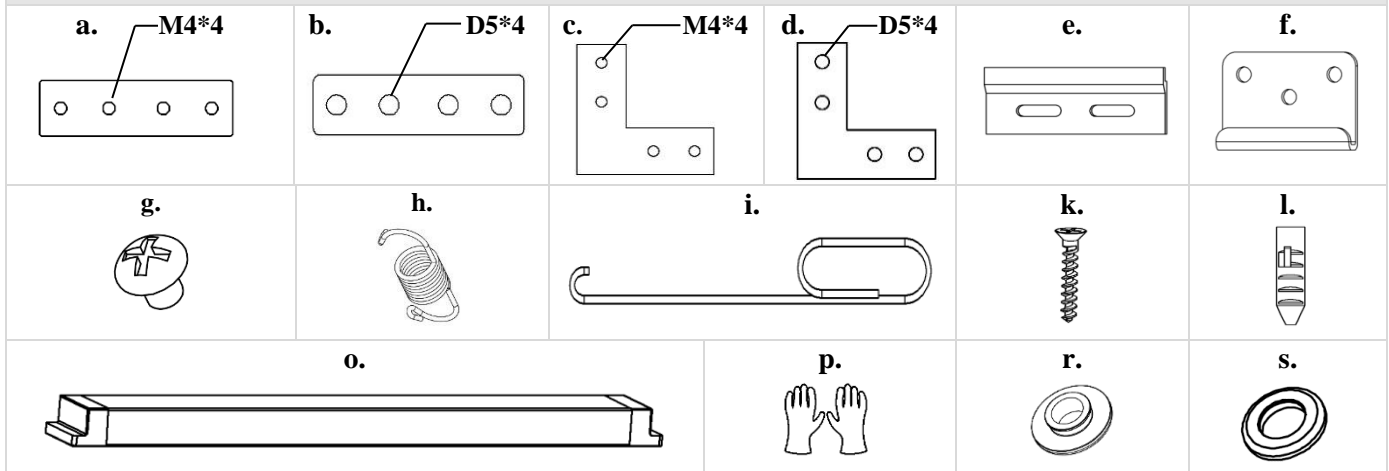
In order for the *CineWhite® UHD-B* to maintain its projection qualities and optimum performance please refer to the list below for proper maintenance and cleaning.

- Use a dry microfiber cloth to remove dust from the screen's surface.
- When cleaning, use a damp microfiber cloth with warm water to remove any marks.
- Never rub or apply pressure when cleaning the surface.
- Never attempt to use any solutions, chemicals, or abrasive cleaners on the screen surface.
- In order to avoid damaging the screen, avoid touching it directly with your fingers, pens/pencils or any other sharp or abrasive objects.

Frame Parts List		
<b>A. Vertical Frame x 2pcs</b>	<b>B. ½ Horizontal Frame x2 pcs</b>	<b>C. ½ Horizontal Frame x 2 pcs</b>



### Hardware Parts List

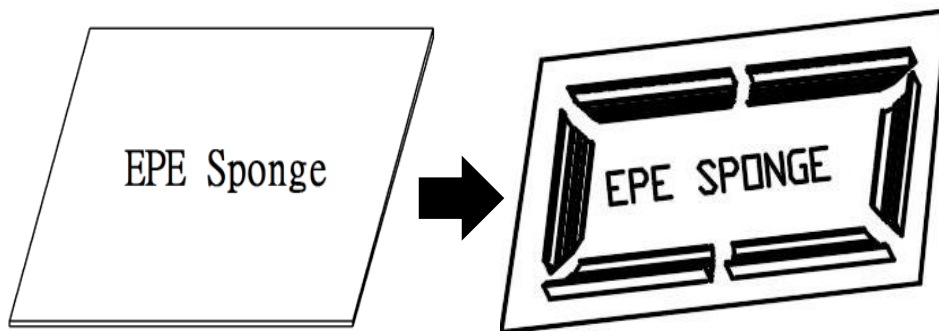


Item	Parts List	100"	110"	120"	135"	150"
a.	Center Joints- M4 (bottom position)	2	2	2	2	2
b.	Center Joints-D5 (top position)	2	2	2	2	2
c.	Elbow Joints M4 (bottom position)	4	4	4	4	4
d.	Elbow Joints D5 (top position)	4	4	4	4	4
e.	Top hanging brackets	2	2	2	2	2
f.	Bottom brackets	2	2	2	2	2
g.	M4x7 Screws	24	24	24	24	24
h.	Spring	92	100	112	124	136
i.	Pull Hook	2	2	2	2	2
k.	Wall Screws M5x50	8	8	8	8	8
l.	Hollow Wall anchors	8	8	8	8	8
o.	Center Support Bar	1	1	1	1	1
p.	White gloves	2	2	2	2	2
r.	Bottom plastic eyelet	88	96	108	120	132
s.	Top plastic eyelet	88	96	108	120	132

### Frame Assembly

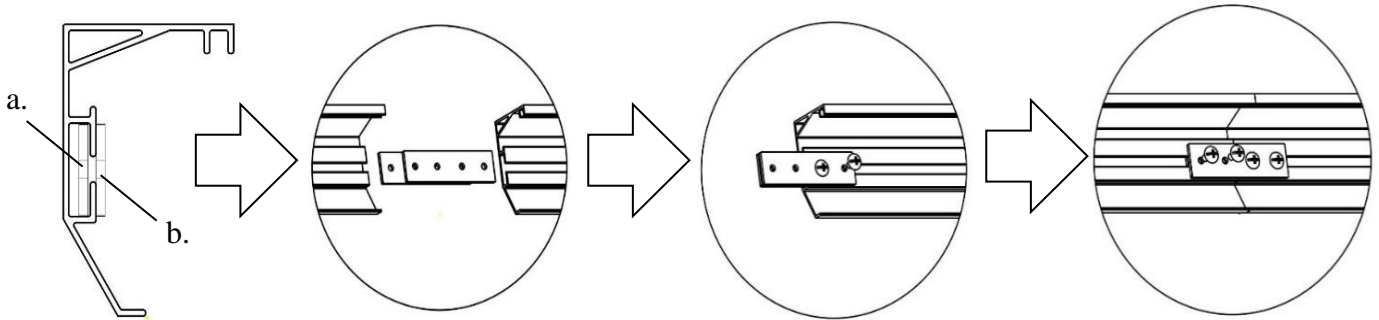
**Step 1:** Place the EPE sponge (foam) sheet on the ground of the area where the screen will be assembled.

**Step 2:** Position the pieces of the frame on the EPE sponge in the arrangement shown below.



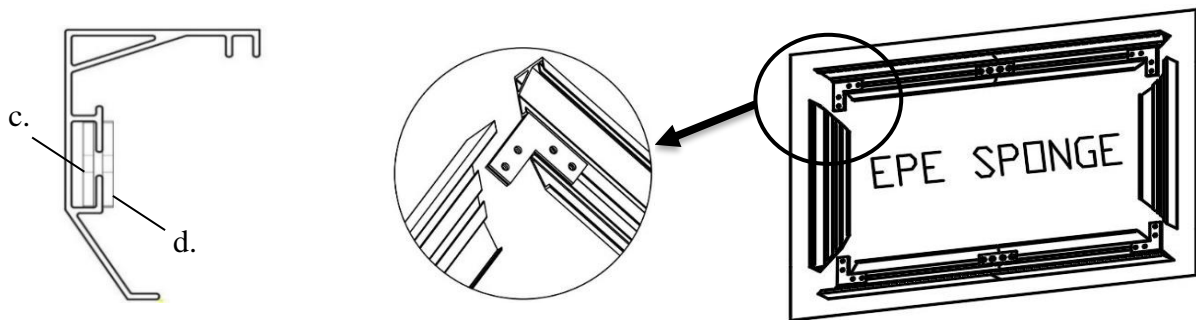
**Step 3:** Insert *center joint* (a/b) connectors into *one-half of the horizontal frame* (B/C) and secure with the *M4x7 screws* (g) as shown in the illustration below.

**Tip:** The center joint (b) with the larger diameter holes should be on top.

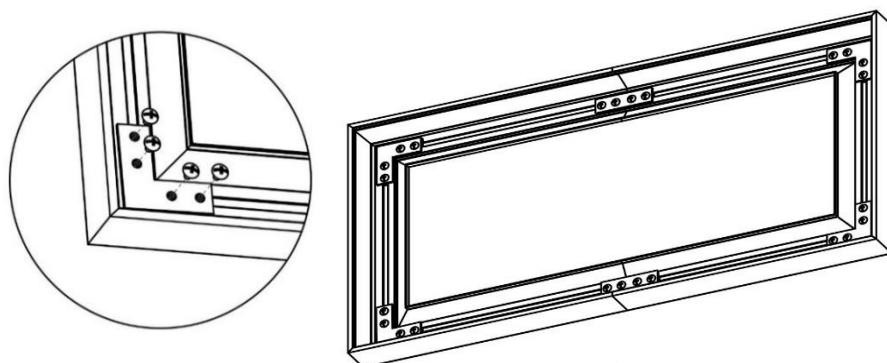


**Step 4:** Connect the *elbow joints* (c/d) to the top and bottom sections of the vertical frame. Once inserted, connect the vertical sections to the horizontal frame sections. Make sure all holes are in alignment and the frame pieces are flush (no gaps). They should form perfect right angles.

**Tip:** The elbow joint (d) with the larger diameter holes should be on top.



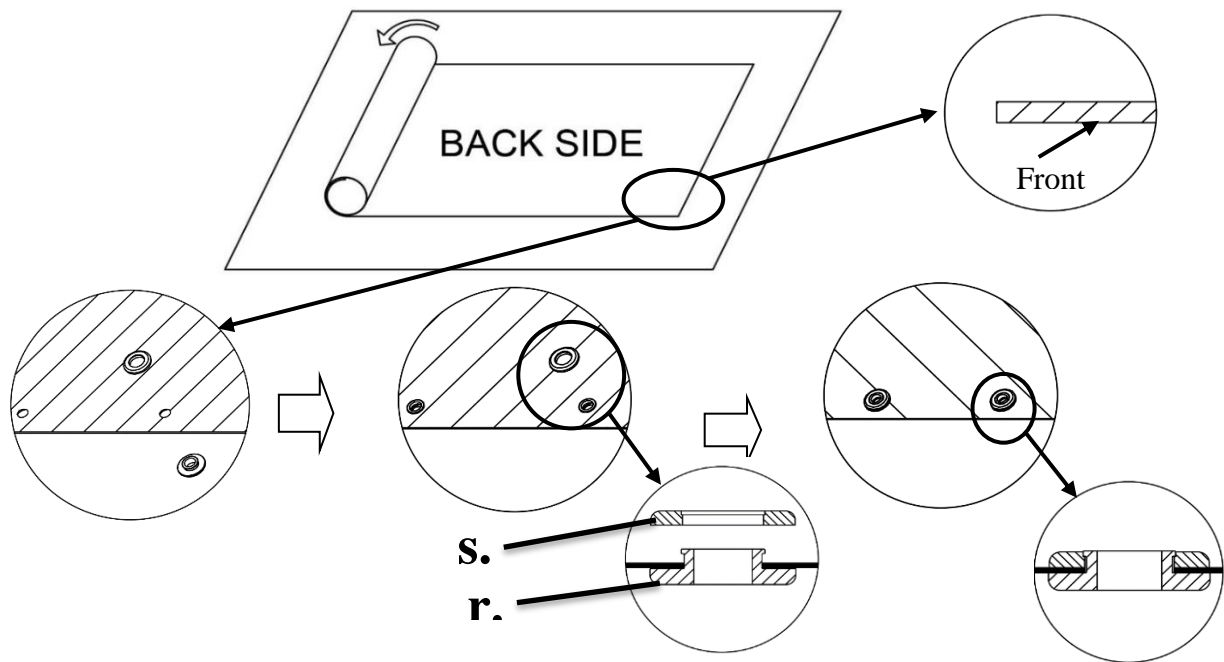
**Step 5.** Secure the elbow joints by fastening them with *M4x7 screws* (g), 4 at each corner.



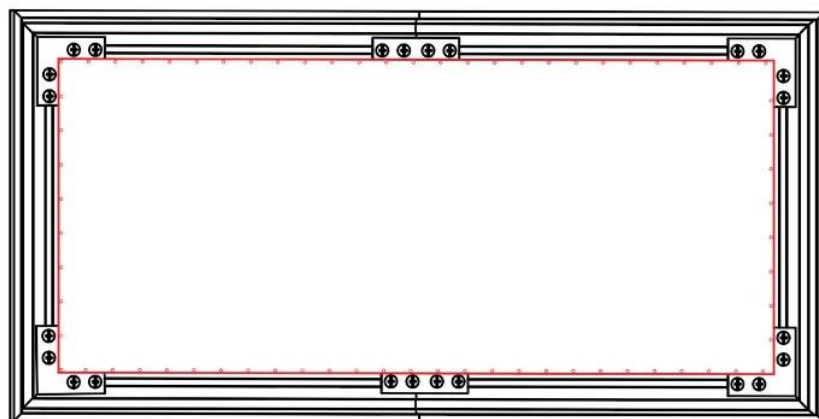
### Screen Material

**Step 6:** Put on the *white gloves* (p) and carefully unroll the screen material on a clean surface from the roller to the other side as shown below. The back side of the screen material should be placed upwards. Then place a *bottom grommet* (r) on the screen material's eyelet and snap in the *top grommet* (s) as shown below.

Repeat the process for all eyelets.

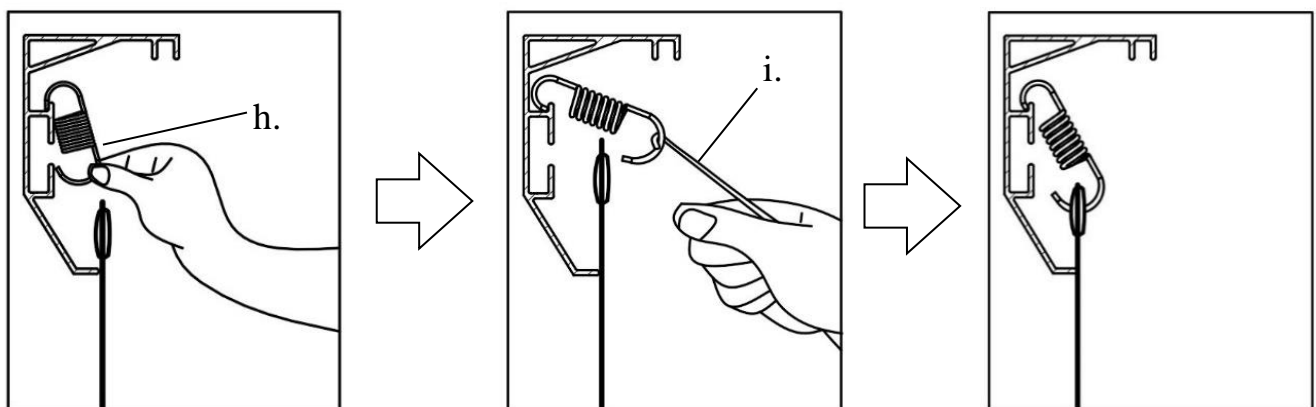


**Step7:** Carefully place the screen on top of the assembled frame as shown below. Make sure that the angular **edges** of the frame are not allowed to come into direct contact with the screen material to avoid puncturing.

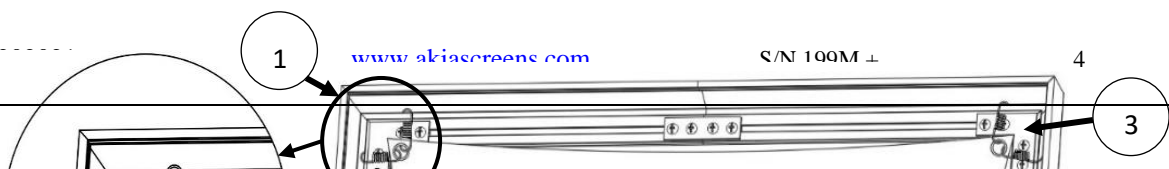


### How to attach the springs

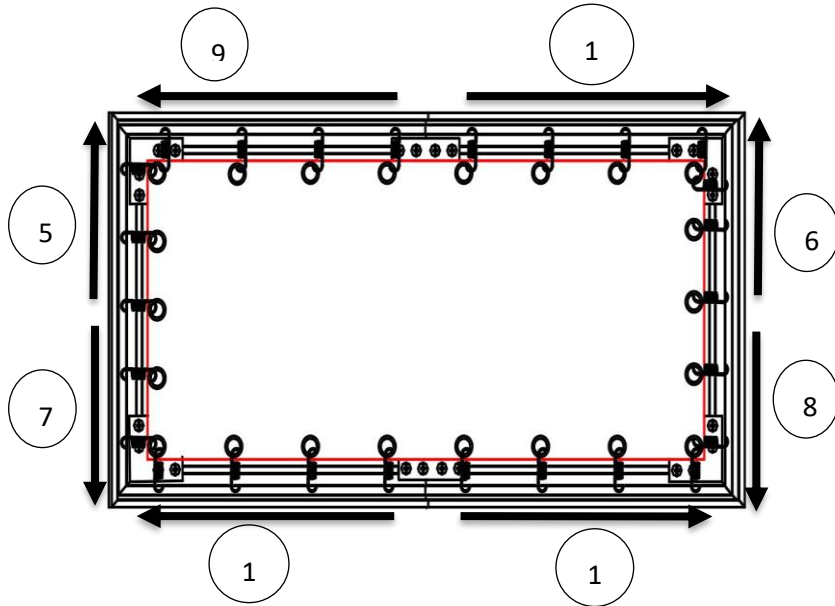
**Step 8.** Hook one end of the spring and secure inside the groove of the frame, use the *spring hook (i)* to attach the spring to the hole located on the screen material's outer edge in the following order.



First connect on four corners, steps 1-4. make sure all four corners are fixed before proceeding with next spring.

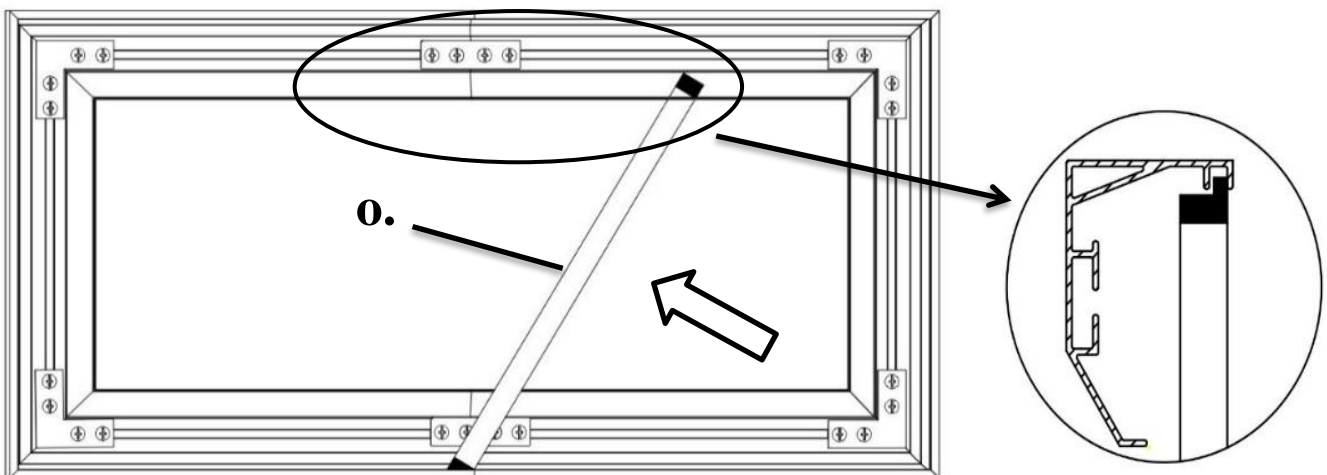


Continue to attach the remaining springs to the material in steps 5-12 in the follow order.



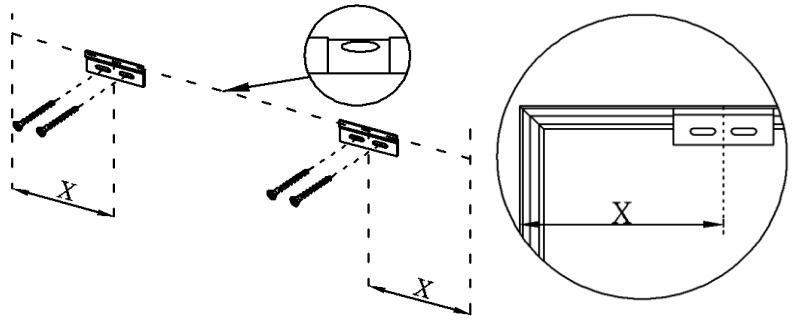
**Step 9:** Insert the Center Support Bar (o) into the upper top groove on the back of the frame with the bottom end near the approximate center point of the frame and rotate it in at an angle so that both ends of the bar are in alignment with the groove.

**Diagonal Models 150" and below use 1 x Center Support Bar**

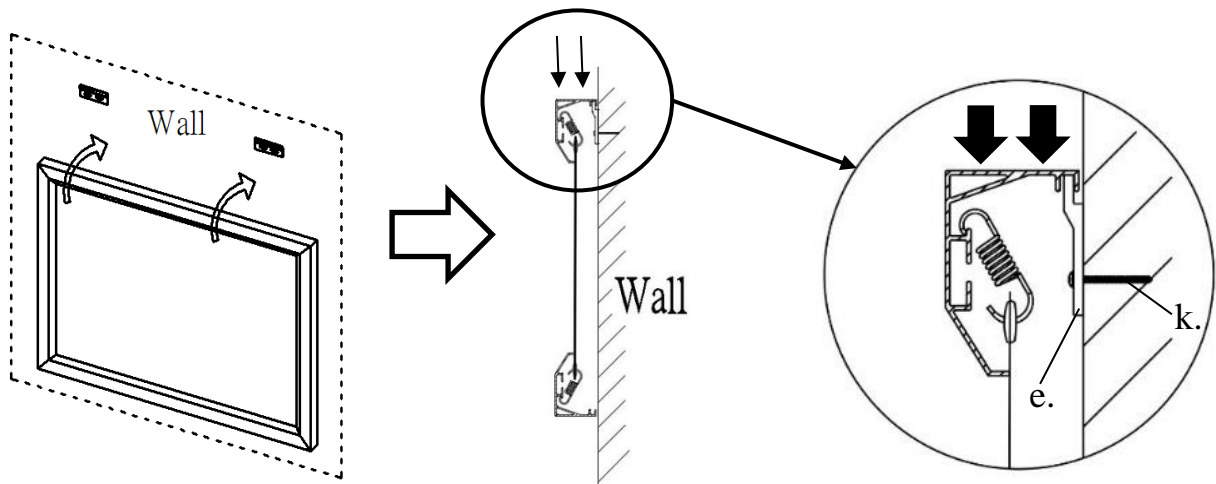


## Installation

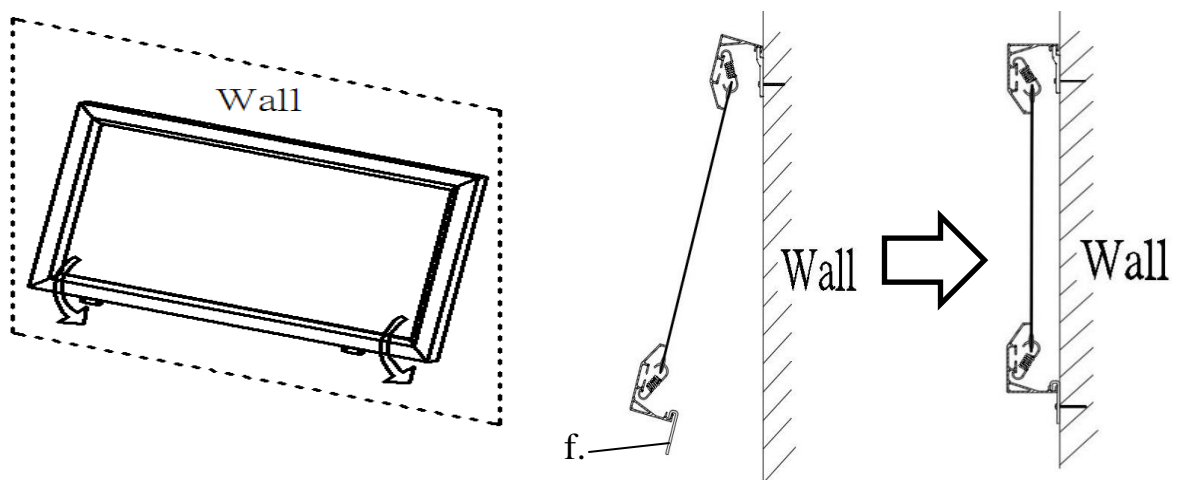
**Step 10.** Measure the overall length and height of the frame and drill holes for the top brackets. Line up the wall brackets with the drilled holes on the installation location and screw them in using a Phillips screwdriver. If not installing into a structural wood stud, use a hollow wall anchor then screw in the M5x50 wood screws with a screwdriver. Make sure the brackets are leveled.



**Step 11:** Position the fixed frame screen onto the top wall brackets as shown below and push down at the center of the top of the frame to secure.



**Step 12:** With the frame slightly tilted outward; connect the bottom brackets onto the bottom groove of the frame. Slowly return the screen to a normal upright position. Once the screen is flush to the wall, secure the brackets to the wall with a screw. If not installing into a structural wood stud, mark the sites where the hollow wall anchors will be placed using the same instructions above. With the wood anchor installed, repeat the process and fasten the brackets with the M5x50 wood screws.



**For Technical Support or an Akia Screens contact in your area,  
visit [www.akiascreens.com](http://www.akiascreens.com)**